

User Guide

Humidifier Tubing

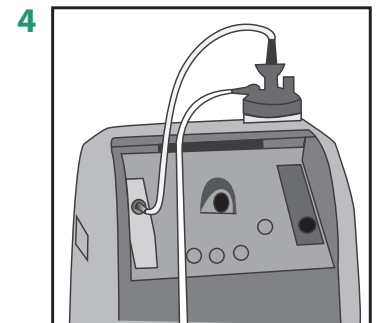
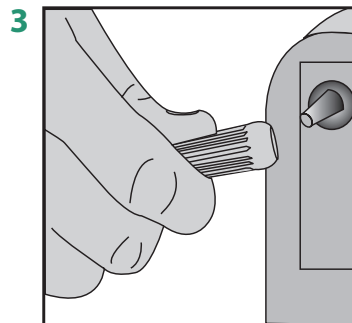
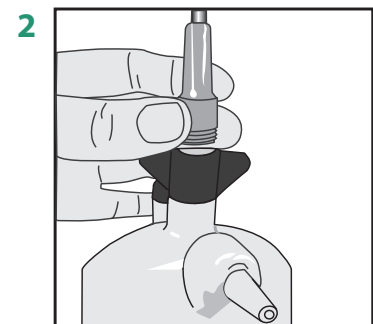
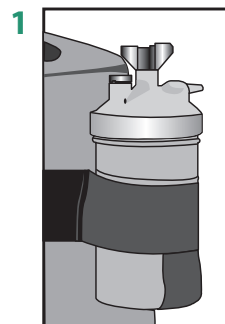
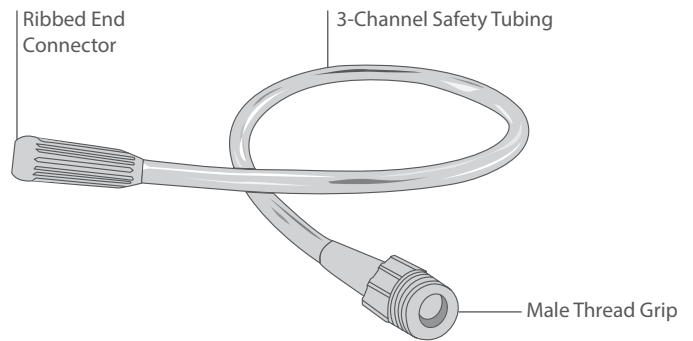
9996-1-250

Please read and follow the Instructions for Use provided with the products prior to using the Humidifier Tubing

The Humidifier Tubing is used to attach a bubble humidifier bottle to an oxygen concentrator. This product is intended to be used by patients who have a prescription for home oxygen and have received training from a trained healthcare professional. The Humidifier Tubing is disposable and intended for single patient use.

Product Use

1. Wash your hands.
2. Make sure the bubble humidifier bottle is upright and securely attached to the oxygen concentrator (1).
Note: Bubble humidifier placement will vary depending on oxygen concentrator.
3. Open the package and remove the Humidifier Tubing.
4. Screw the male thread grip (2) into the oxygen inlet port located on top of the bubble humidifier bottle.
5. Attach the Ribbed End Connector (3) to the concentrator's oxygen outlet port.
6. Connect your oxygen extension tubing to the oxygen outlet port (4) located on the bubble humidifier.
7. Set flow to your prescribed oxygen setting.



Troubleshooting Guide

PROBLEM	POSSIBLE CAUSE	CORRECTIVE ACTION
No oxygen flow from bubble humidifier outlet port.	The concentrator or flow control valve is not turned on.	Ensure the concentrator is turned on. Set flow control to prescribed setting.
	The tubing connectors are not tight.	Check all tubing connections.
	The tubing is disconnected.	Reconnect the tubing.
Unable to screw the male grip end into humidifier bottle.	Plastic thread on humidifier tubing is stripped.	Replace with a new humidifier tubing.
	The male thread grip is not properly aligned with the bubble humidifier.	Re-align the male thread grip to the inlet port on the bubble humidifier bottle.

Safety Precautions

- Follow your home care provider’s instructions for safe use and operation for your home oxygen system.
- Do not smoke or allow anyone to smoke around you when oxygen is being used. This includes the use of electronic cigarettes (vaping). Put up NO SMOKING signs in your home.
- Keep oxygen tubing at least 6 feet to 10 feet away from flames or any heat source. This includes candles, gas stoves, lighted fireplaces, camp fires, electric heaters and electric blankets.
- Use oxygen as prescribed by your doctor.
- Keep an extra set of oxygen supplies for backup.
- Do not bend or kink humidifier tubing.
- Keep humidifier bottle upright and securely attached to concentrator.
- Do not let children or pets play with your oxygen equipment.
- Notify your local fire department and utility company that you are using oxygen in your home.
- Follow your home care provider’s instruction for proper use and maintenance of your oxygen equipment.

